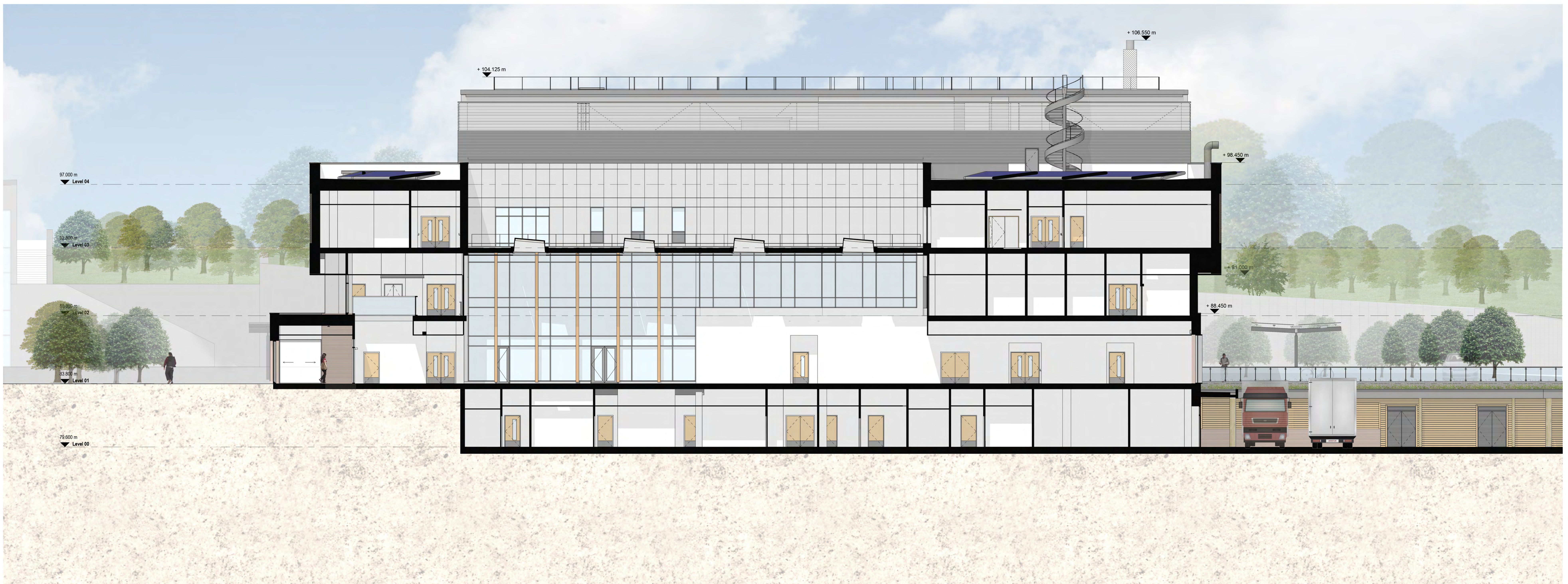




Section AA'



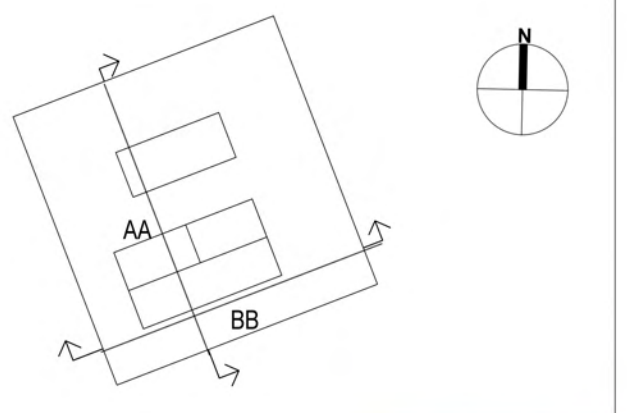
Section BB'

BUILDING DESIGN PARTNERSHIP SHALL HAVE NO RESPONSIBILITY FOR ANY USE MADE OF THIS DOCUMENT OTHER THAN FOR THAT WHICH IT WAS PREPARED AND ISSUED.
ALL DIMENSIONS SHOULD BE CHECKED ON SITE.

ANY DRAWING ERRORS OR OMISSIONS SHOULD BE BROUGHT TO THE ATTENTION OF BUILDING DESIGN PARTNERSHIP AT THE ADDRESS SHOWN BELOW.
DRAWINGS SHALL BE READ IN CONJUNCTION WITH THE FOLLOWING BEFORE WORK COMMENCES:
- THE CONSTRUCTION REGISTER
- THE BDP RISK SERIES OF DRAWINGS
- THE PROJECT CONSTRUCTION REGISTER

NOTES

P02 Revised Planning Submission	MMC	SW	11/04/17
P01 FIRST ISSUE	MMC	SW	03/10/16



Frimley Health NHS
NHS Foundation Trust

Frimley Park Hospital
Portsmouth Road
Frimley
Surrey
GU16 7JU

7 Hill Street
Bristol
BS1 5RW
United Kingdom
T +44 (0)117 929 9881
F +44 (0)117 922 0280

BDP.

www.bdp.com

Heatherwood Hospital Redevelopment

P2006781
Hospital Buildings
Sections

DATE	@ AD
1:100	
03/10/16	
HHR-BDP-XX-XX-SE-A-200001	P02